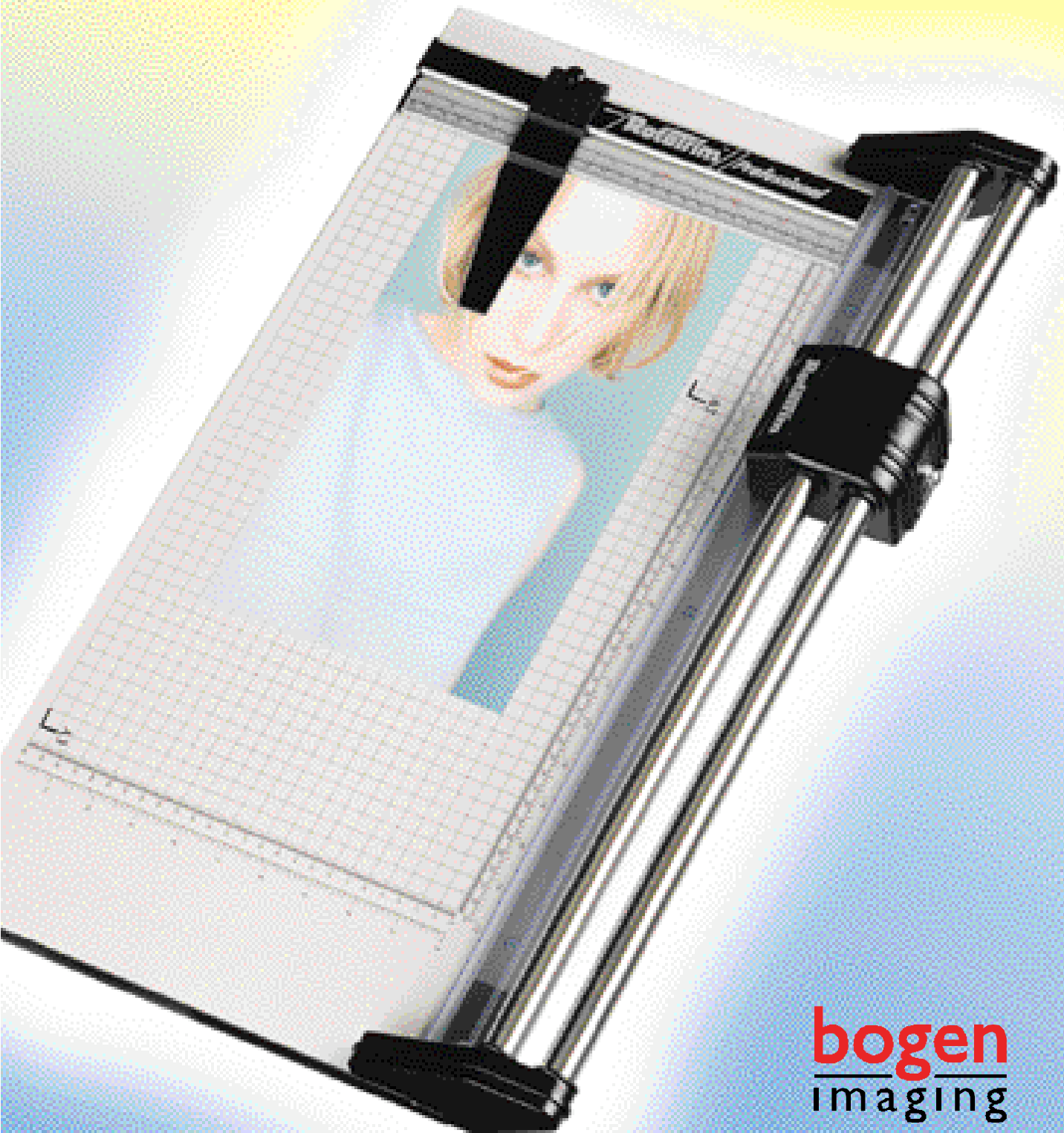


Rotatrim ...exclusively for you.

The world's leading range of cutters



bogen
imaging

PROFESSIONAL (Mastercut)

This **Professional (Mastercut)** range of 8 superbly engineered machines is the one by which all others are judged! Over 300,000 are in use worldwide; in schools, offices, studios and darkrooms, where their sturdy construction is rigorously tested, day-in, day-out.

With cut lengths from 12" (305mm) to 54" (1374mm) each model features unique steel twin guide rails, silent glide action and all metal cutting head and end frames.

These smooth running **Professional (Mastercut)** cutters are designed to withstand high volume applications and will handle virtually all flexible materials up to 0.12" thickness. Fully guaranteed for 5 years. Each **Professional (Mastercut)** is screen-printed with a 1/4" grid and two additional inch scale bars.

Full range of accessories available.

PROFESSIONAL				
Model	Cut Length in.	Overall Length in.	Cut Capacity in.	Weight lbs
RC-RCM12	12	18.5	0.12	10.8
RC-RCM15	15	21.5	0.12	11.7
RC-RCM17	17.5	24	0.12	13.2
RC-RCM24	24	30.6	0.12	15.6
RC-RCM30	30	36.5	0.12	18.7
RC-RCM36	36	42.5	0.07	19.5
RC-RCM42	42	48.6	0.06	23.1
RC-RCM54	54	60.1	0.06	26.4

Each Model W15in. H3.7in.



EUROCUT (Monorail)

These 2 **Eurocut (Monorail)** models each offer classic Rotatrim top quality characteristics at a budget price. Designed for medium volume applications in the office or at school, both the 16" and 26" machines will cleanly and safely cut a variety of materials up to 0.07" thickness.

With the same baseboard construction and 'built to last' feel of the flagship **Professional (Mastercut)** range, the **Eurocut (Monorail)** will provide years of safe, trouble-free cutting. Fully guaranteed for 5 years.

Each **Eurocut (Monorail)** is screen-printed with a 1/4" grid and two additional inch scale bars.

EUROCUT				
Model	Cut Length in.	Overall Length in.	Cut Capacity in.	Weight lbs
RC-RCEC16	16	22.1	0.07	8.8
RC-RCEC26	26	31.1	0.07	13.2

Each Model W13.5in. H3.7in.



POWERTECH/TECHNICAL

A complete understanding of the stresses generated during heavy-duty cutting and the use of the most durable components has enabled Rotatrim to design and construct this remarkable series of machines.

The 14 models in the Technical/Powertech range will each slice effortlessly through almost any flexible sheet up to 0.16" (4mm) thick. Additionally, these versatile cutters are equally at home with thin films and foils due to the unique, self adjusting triple roller cutting head.

With the range extending to a massive 99" (2500mm) cut length, the Technical (manual) and Powertech machines are perfect for display/exhibition applications, finishing of all digital media and fast, accurate straight trimming of pop-ups, encapsulated posters, vinyls and banners.

The Powertech models have the cutting head electrically driven by a steel reinforced belt, via a foot operated pneumatic switch, leaving both hands free for speedy repositioning. Each Powertech machine is supplied with a comprehensive operating and servicing manual.

- **Chromed 1 1/2" square steel guide rail and all-metal construction eliminates distortion.**
- **Self sharpening Sheffield tungsten steel cutting wheel and counterblade.**
- **Transparent clampstrip combines with rubber gripper for firm positive clamping.**
- **Extruded satin finish aluminum baseboard with parallel indents – strong and warp free.**
- **Two way cutting option by removing C.C. Plate.**
- **Powertech high speed version available.**
- **Comprehensive range of accessories.**

NEW

Longer machines (1550 upwards) now supplied with unique extension rods which effectively double baseboard depth to 27.5" (700mm) – perfect for pop-ups.



POWERTECH				
Model	Cut Length in.	Overall Length in.	* Cut Capacity in.	Weight lbs
RC-RCPT650	26	55	0.16	53.5
RC-RCPT950	38	66.7	0.16	59
RC-RCPT1250	50	78.5	0.16	63.8
RC-RCPT1550	61	90.3	0.16	73.3
RC-RCPT1850	73	102.2	0.16	79
RC-RCPT2150	85	114	0.16	84.3
RC-RCPT2500	99	127.8	0.16	90.2

Each Model W15.4in. H7.3in.
*Two-way cut reduces capacity to 0.07in.

TECHNICAL				
Model	Cut Length in.	Overall Length in.	* Cut Capacity in.	Weight lbs
RC-RCT650	26	40.2	0.16	20.7
RC-RCT950	38	52	0.16	25.5
RC-RCT1250	50	63.8	0.16	30.4
RC-RCT1550	61	75.6	0.16	35.2
RC-RCT1850	73	87.4	0.16	39.8
RC-RCT2150	85	99.2	0.16	44.7
RC-RCT2500	99	113	0.16	50.6

Each Model W13.9in. H4.7in.
*Two-way cut reduces capacity to 0.07in.

DIGITECH

For fast, easy trimming of all ultra-wide digital media, posters and encapsulations. These 2 new **Digitech** machines feature a smooth cutting action, and are based on the highly successful Technical series. Both models benefit from a self-sharpening cutting action and all-metal construction.

DIGITECH				
Model	Cut Length in.	Overall Length in.	Cut Capacity in.	Weight lbs
RC-RCDT1850	73	87.4	0.03	37.4
RC-RCDT2500	99	113	0.03	46.2



STRAIGHT EDGES

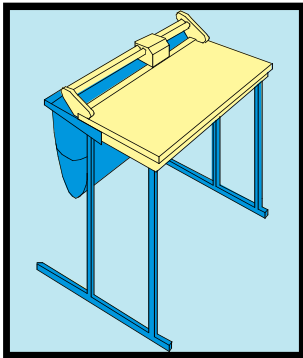
Probably the most straightforward cutting aids ever developed by Rotatrim. This new range of precision ground, non-slip, ultra-safe straight edges will prove indispensable in any busy finishing area.

The profiled aluminum safety rail is bonded to a dead straight, 0.19" (3mm) thick steel guide edge, enabling precise, vertical cuts using hand held knives or scalpels – without slicing off your fingers!

STRAIGHTEDGE		
Model	Length in.	Weight lbs
RC-RCSE1200	48	10
RC-RCSE1800	72	15
RC-RCSE2600	102	21.6

ACCESSORIES

PROFESSIONAL

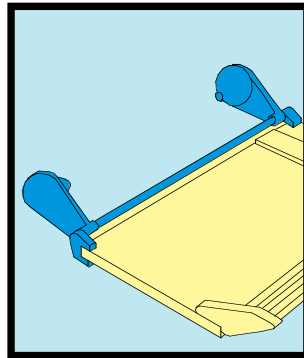


FLOORSTAND

Stand gives rigid support at the ideal working height, 33" (840mm) constructed from square section steel frame, black finish. Fits 30", 36", 42" and 54" cutters.

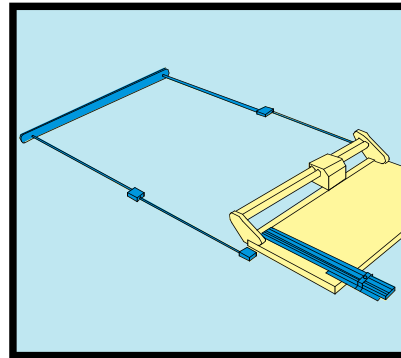
SCRAP CATCHER

Metal framed canvas waste catcher, for efficient collection of off-cuts. Attaches to stand. Fits 30", 36", 42" and 54" cutters.



ROLL HOLDER

Roll dispenser, clamps direct to baseboard. Can be adjusted over full length of the cutter and will support rolls of material to 8" (203mm) outside diameter. Core size 1.25" (32mm) to 3.5" (89mm). Maximum roll weight 44 lbs (20kg). Fits 12", 15", 18", 24", 30" and 36" cutters.



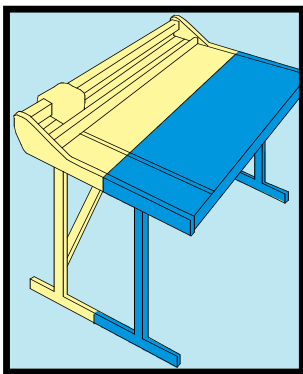
MULTI-CUT END STOP

An adjustable bench stop for repetitive cutting. Easily adjusted to maximum 18" (485mm). Shown here with built-in extension kit allowing maximum adjustment to 36" (916mm). Fits 12", 15", 18", 24", 30", 36", 42" and 54" cutters.

RULE EXTENSION

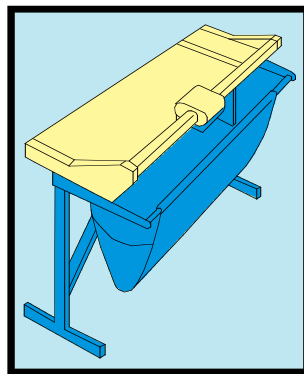
Rule extension available in two sizes 24" (610mm) or 36" (916mm). Replaces the standard rule arm. Supplied with adjustable marker. Fits all Professional Series.

POWERTECH/TECHNICAL



BASEBOARD for Powertech & Technical

Baseboard extension extends working area by 11" (324mm). A series of these may be fitted. Stand support for base extension.

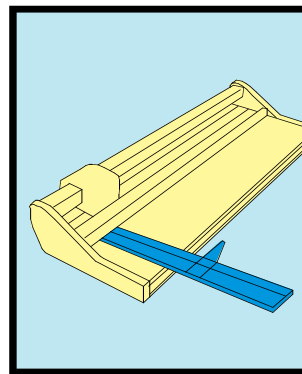


FLOORSTAND for Powertech, Technical & Digitech

Stand gives rigid support at the ideal working height, 33" (840mm). Constructed from square section steel frame, black finish.

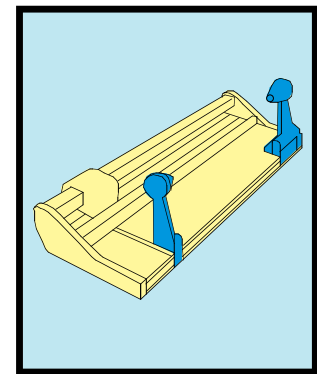
SCRAP CATCHER for Powertech & Technical

Metal framed canvas waste catcher, for efficient collection of trimmed material.



RULE EXTENSION for Powertech, Technical & Digitech

Rule extension in profiled aluminum incorporates metric and imperial calibrations and adjustable marker. Available in two sizes 24" (610mm) or 36" (916mm). Replaces the standard rule arm.



14" ROLL DISPENSER for Powertech, Technical & Digitech

Free running roll dispenser which fits into accessory slot in baseboard. Adjustable over full length of the cutter. Will support rolls of material up to 14" (354mm) in diameter.

Cutter application guide

MATERIAL Cuts thicknesses up to	EUROCUT (Monorail) 0.07" (2mm)	PROFESSIONAL (Mastercut) 0.12" (3mm)	TECHNICAL & POWERTECH 0.16" (4mm)
Aluminum	-	●	●
Art Board	●	●	●
Cardboard	●	●	●
Cibachrome	●	●	●
Corex	-	-	●
Cork	-	-	●
Diapositives	●	●	●
Gelatin Film	●	●	●
Hardboard	-	-	●
Heatseal Film	●	●	●
Laminates	-	-	●
Leads	-	●	●
Leather	-	●	●
Lithoplate	-	●	●
Magnetic Vinyl	-	●	●
Mountboard	●	●	●
Paper	●	●	●
Photo Film	●	●	●
Photo Paper	●	●	●
Polyethylene Film	●	●	●
Polypropylene Film	●	●	●
Printing Plate	-	●	●
Printing Blanket	-	●	●
Rubber	-	-	●
Tissue	●	●	●
Veneer	-	●	●
Vinyl	-	●	●



PROFESSIONAL / EUROCUT



POWERTECH / TECHNICAL



DIGITECH / STRAIGHTEDGES

bogen
imaging

Bogen Imaging Inc., 565 East Crescent Ave, Ramsey, NJ 07446
Tel: (201)818-9500 Fax: (201)818-9177 www.bogenimaging.us